

ecomac Gebrauchtmachines GmbH
Berliner Strasse 31
93073 Neutraubling
Germany
Phone: +49 (0) 94 01 - 93 05-0
Fax: +49 (0) 94 01 - 93 05-20
E-mail: sales@ecomac.de

ecomac
GEBRAUCHTMASCHINEN

Neutraubling, 2025-02-04

Used Packing Machine # 30-24155

Details

Number	30-24155
Product	Krones
Model	Variopac TFS-8 3-b
Performance	80 cy/min
Equipment	Shrinkpack 2x2 (3-lane), 3x2 (double lane), shrinkpad and shrinktray 4x2, 5x2, 5x3 and 6x4
Year	2015
Delivery	Feb 2025
Direction	L-R

This packaging machine, made by KRONES, is a machine for shrinking different container formations in foil or together with a pad or tray in foil. The machine will still be in production until February 2025 and can be viewed after an arrangement.

Execution	6-lane infeed, line-guided for shaped bottles Carton-magazine ergonomic-design Pad and tray ramp Tray folding station with hot-glue unit
Electrical shrinking tunnel	2 film reels for film wrapping station Length 8.514 mm with heating zone 4.500 mm Wire mesh chain Heat extraction system Cooling fans
Operation	15" Touchscreen with B&R ZenOn
Kind of current	TN-S-net, 400 V, 50 Hz
Control Unit	Allen-Bradley

Subject to prior sale – without engagement

Berliner Strasse 31
93073 Neutraubling
Germany
Phone: +49 (0) 94 01 - 93 05-0
Fax: +49 (0) 94 01 - 93 05-20
E-mail: sales@ecomac.de

Managing Director
Ludwig Stierstorfer

Sparkasse Neutraubling
Account 30912406
BLZ 75050000
BIC BYLADEM1RBG
IBAN DE1375050000030912406

Commerzbank Regensburg
Account 6005870
BLZ 75040062
BIC COBADEFF750
IBAN DE36750400620600587000

Expressbahnhof
93047 Regensburg
Airfreight Nürnberg

Registered office Neutraubling
Registration Court
Regensburg HRB 5134

ecomac Gebrauchtmachines GmbH
Berliner Strasse 31
93073 Neutraubling
Germany
Phone: +49 (0) 94 01 - 93 05-0
Fax: +49 (0) 94 01 - 93 05-20
E-mail: sales@ecomac.de

ecomac
GEBRAUCHTMASCHINEN

Neutraubling, 2025-02-04



Subject to prior sale – without engagement

Berliner Strasse 31
93073 Neutraubling
Germany
Phone: +49 (0) 94 01 - 93 05-0
Fax: +49 (0) 94 01 - 93 05-20
E-mail: sales@ecomac.de

Managing Director
Ludwig Stierstorfer

Sparkasse Neutraubling
Account 30912406
BLZ 75050000
BIC BYLADEM1RBG
IBAN DE1375050000030912406

Commerzbank Regensburg
Account 6005870
BLZ 75040062
BIC COBADEFF750
IBAN DE36750400620600587000

Expressbahnhof
93047 Regensburg
Airfreight Nürnberg

Registered office Neutraubling
Registration Court
Regensburg HRB 5134

ecomac Gebrauchtmachines GmbH
Berliner Strasse 31
93073 Neutraubling
Germany
Phone: +49 (0) 94 01 - 93 05-0
Fax: +49 (0) 94 01 - 93 05-20
E-mail: sales@ecomac.de

ecomac
GEBRAUCHTMASCHINEN

Neutraubling, 2025-02-04



Subject to prior sale – without engagement

Berliner Strasse 31
93073 Neutraubling
Germany
Phone: +49 (0) 94 01 - 93 05-0
Fax: +49 (0) 94 01 - 93 05-20
E-mail: sales@ecomac.de

Managing Director
Ludwig Stierstorfer

Sparkasse Neutraubling
Account 30912406
BLZ 75050000
BIC BYLADEM1RBG
IBAN DE1375050000030912406

Commerzbank Regensburg
Account 6005870
BLZ 75040062
BIC COBADEFF750
IBAN DE36750400620600587000

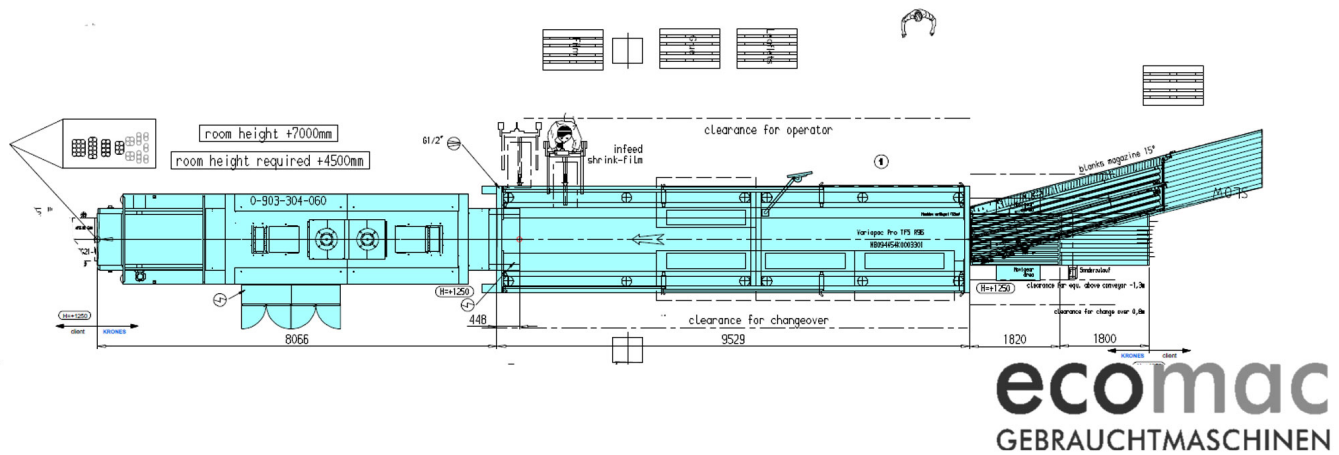
Expressbahnhof
93047 Regensburg
Airfreight Nürnberg

Registered office Neutraubling
Registration Court
Regensburg HRB 5134

ecomac Gebrauchtmaschinen GmbH
 Berliner Strasse 31
 93073 Neutraubling
 Germany
 Phone: +49 (0) 94 01 - 93 05-0
 Fax: +49 (0) 94 01 - 93 05-20
 E-mail: sales@ecomac.de

ecomac
 GEBRAUCHTMASCHINEN

Neutraubling, 2025-02-04



Subject to prior sale – without engagement

Berliner Strasse 31
 93073 Neutraubling
 Germany
 Phone: +49 (0) 94 01 - 93 05-0
 Fax: +49 (0) 94 01 - 93 05-20
 E-mail: sales@ecomac.de

Managing Director
 Ludwig Stierstorfer

Sparkasse Neutraubling
 Account 30912406
 BLZ 75050000
 BIC BYLADEM1RBG
 IBAN DE1375050000030912406

Commerzbank Regensburg
 Account 6005870
 BLZ 75040062
 BIC COBADEFF750
 IBAN DE36750400620600587000

Expressbahnhof
 93047 Regensburg
 Airfreight Nürnberg

Registered office Neutraubling
 Registration Court
 Regensburg HRB 5134