

ecomac Gebrauchtmachines GmbH
Berliner Strasse 31
93073 Neutraubling
Germany
Phone: +49 (0) 94 01 - 93 05-0
Fax: +49 (0) 94 01 - 93 05-20
E-mail: sales@ecomac.de

ecomac
GEBRAUCHTMASCHINEN

Neutraubling, 2023-10-04

Used Labelling Maschine # 10-23652

Details

Number	10-23652
Product	Krones
Model	Universella 600-15-8-6-130
Performance	16.000 b/h
Equipment	Body, neck, back
Year	2000
Delivery	promptly
Batch	Standard
Direction	L-R

The ecomac Gebrauchtmachines GmbH offers a used labelling machine make KRONES model Universella year 2000. The machine has 2 cold glue labelling stations and handles glass bottles with a capacity of 16.000 bottles/h. We look forward to your enquiry.

Output range	3.500 - 18.000 bottles/h
Bottle table	Bottle turning with table cam 15 pieces bottle plates
Number of labelling stations	2 pieces
Kind of labelling station I	Cold-glue labelling station 8-6-130 for paper labels Label length max. 130 mm, steel glue roller
Kind of labelling station II	Cold-glue labelling station 8-6-150 Label length max. 150 mm, steel glue roller
Execution	Rolling-on unit with sponge belt
Machine safety	Full safety - hinged flap
Lubrication	Lubrication nipple array
Voltage	220/380 V
Frequency	50 Hz
Control Cabinet	on the machine
Control Unit	Relay technology

Subject to prior sale – without engagement

Berliner Strasse 31
93073 Neutraubling
Germany
Phone: +49 (0) 94 01 - 93 05-0
Fax: +49 (0) 94 01 - 93 05-20
E-mail: sales@ecomac.de

Managing Director
Ludwig Stierstorfer

Sparkasse Neutraubling
Account 30912406
BLZ 75050000
BIC BYLADEM1RBG
IBAN DE1375050000030912406

Commerzbank Regensburg
Account 6005870
BLZ 75040062
BIC COBADEFF750
IBAN DE36750400620600587000

Expressbahnhof
93047 Regensburg
Airfreight Nürnberg

Registered office Neutraubling
Registration Court
Regensburg HRB 5134

ecomac Gebrauchtmachines GmbH
Berliner Strasse 31
93073 Neutraubling
Germany
Phone: +49 (0) 94 01 - 93 05-0
Fax: +49 (0) 94 01 - 93 05-20
E-mail: sales@ecomac.de

ecomac
GEBRAUCHTMASCHINEN

Neutraubling, 2023-10-04



Subject to prior sale – without engagement

Berliner Strasse 31
93073 Neutraubling
Germany
Phone: +49 (0) 94 01 - 93 05-0
Fax: +49 (0) 94 01 - 93 05-20
E-mail: sales@ecomac.de

Managing Director
Ludwig Stierstorfer

Sparkasse Neutraubling
Account 30912406
BLZ 75050000
BIC BYLADEM1RBG
IBAN DE13750500000030912406

Commerzbank Regensburg
Account 6005870
BLZ 75040062
BIC COBADEFF750
IBAN DE36750400620600587000

Expressbahnhof
93047 Regensburg
Airfreight Nürnberg

Registered office Neutraubling
Registration Court
Regensburg HRB 5134

ecomac Gebrauchtmachines GmbH
Berliner Strasse 31
93073 Neutraubling
Germany
Phone: +49 (0) 94 01 - 93 05-0
Fax: +49 (0) 94 01 - 93 05-20
E-mail: sales@ecomac.de

ecomac
GEBRAUCHTMASCHINEN

Neutraubling, 2023-10-04



Subject to prior sale – without engagement

Berliner Strasse 31
93073 Neutraubling
Germany
Phone: +49 (0) 94 01 - 93 05-0
Fax: +49 (0) 94 01 - 93 05-20
E-mail: sales@ecomac.de

Managing Director
Ludwig Stierstorfer

Sparkasse Neutraubling
Account 30912406
BLZ 75050000
BIC BYLADEM1RBG
IBAN DE1375050000030912406

Commerzbank Regensburg
Account 6005870
BLZ 75040062
BIC COBADEFF750
IBAN DE36750400620600587000

Expressbahnhof
93047 Regensburg
Airfreight Nürnberg

Registered office Neutraubling
Registration Court
Regensburg HRB 5134

ecomac Gebrauchtmachines GmbH
Berliner Strasse 31
93073 Neutraubling
Germany
Phone: +49 (0) 94 01 - 93 05-0
Fax: +49 (0) 94 01 - 93 05-20
E-mail: sales@ecomac.de

ecomac
GEBRAUCHTMASCHINEN

Neutraubling, 2023-10-04



Subject to prior sale – without engagement

Berliner Strasse 31
93073 Neutraubling
Germany
Phone: +49 (0) 94 01 - 93 05-0
Fax: +49 (0) 94 01 - 93 05-20
E-mail: sales@ecomac.de

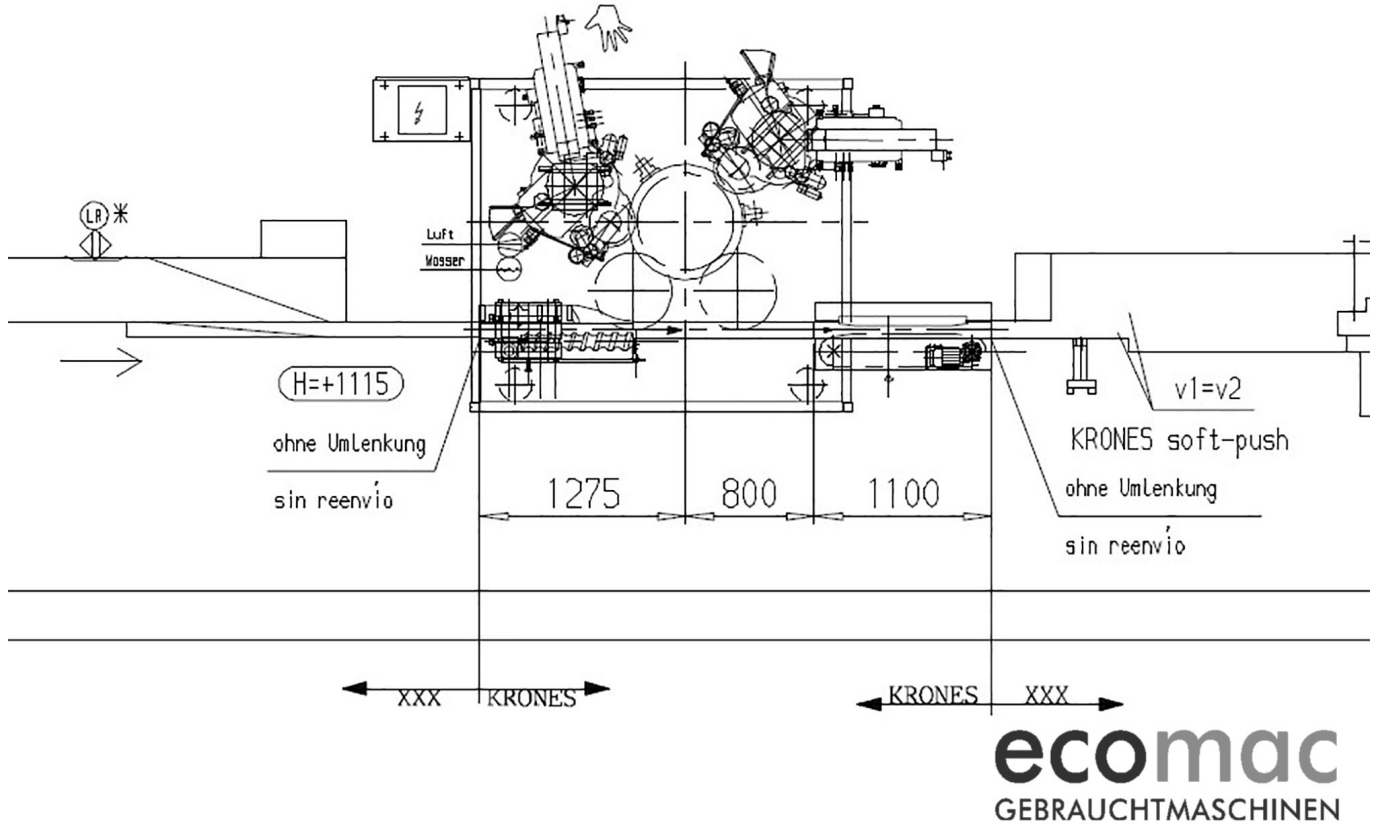
Managing Director
Ludwig Stierstorfer

Sparkasse Neutraubling
Account 30912406
BLZ 75050000
BIC BYLADEM1RBG
IBAN DE1375050000030912406

Commerzbank Regensburg
Account 6005870
BLZ 75040062
BIC COBADEFF750
IBAN DE36750400620600587000

Expressbahnhof
93047 Regensburg
Airfreight Nürnberg

Registered office Neutraubling
Registration Court
Regensburg HRB 5134



Subject to prior sale – without engagement

Berliner Strasse 31
 93073 Neutraubling
 Germany
 Phone: +49 (0) 94 01 - 93 05-0
 Fax: +49 (0) 94 01 - 93 05-20
 E-mail: sales@ecomac.de

Managing Director
 Ludwig Stierstorfer

Sparkasse Neutraubling
 Account 30912406
 BLZ 75050000
 BIC BYLADEM1RBG
 IBAN DE1375050000030912406

Commerzbank Regensburg
 Account 6005870
 BLZ 75040062
 BIC COBADEFF750
 IBAN DE36750400620600587000

Expressbahnhof
 93047 Regensburg
 Airfreight Nürnberg

Registered office Neutraubling
 Registration Court
 Regensburg HRB 5134