

ecomac Gebrauchtmachines GmbH  
Berliner Strasse 31  
93073 Neutraubling  
Germany  
Phone: +49 (0) 94 01 - 93 05-0  
Fax: +49 (0) 94 01 - 93 05-20  
E-mail: sales@ecomac.de

**ecomac**  
GEBRAUCHTMASCHINEN

Neutraubling, 2024-10-07

## Used Tray Packer # 10-23918

### Details

Number	10-23918
Product	Krones
Model	Variopac Pro T 45
Performance	45 cycles/min
Equipment	Shrinkpacs in Tray
Year	2010
Delivery	promptly
Direction	R-L

This packing machine make KRONES model Variopac Pro T y/c 2010. The machine has a **multipack-infeed** and puts 3 sixpacks in a carton tray **short-side leading**. The machine is immediatley available. We look forward to your enquiry.

Execution	Infeed adjustable to 1-2 lanes (external divider for shrinkpacs) Machine conveyor up to 4 chain lanes (crank adjustable) Carton-blank feeding inclined under infeed Blank separator with oscillating sucker beam Tray-forming by hotmelt unit (Robatech)
Operation	15" Clean Design colour display with ZenOn
Control unit	Siemens S7 300
Network	230/400 V - 50 Hz

Subject to prior sale – without engagement

Berliner Strasse 31  
93073 Neutraubling  
Germany  
Phone: +49 (0) 94 01 - 93 05-0  
Fax: +49 (0) 94 01 - 93 05-20  
E-mail: sales@ecomac.de

Managing Director  
Ludwig Stierstorfer

Sparkasse Neutraubling  
Account 30912406  
BLZ 75050000  
BIC BYLADEM1RBG  
IBAN DE1375050000030912406

Commerzbank Regensburg  
Account 6005870  
BLZ 75040062  
BIC COBADEFF750  
IBAN DE36750400620600587000

Expressbahnhof  
93047 Regensburg  
Airfreight Nürnberg

Registered office Neutraubling  
Registration Court  
Regensburg HRB 5134

ecomac Gebrauchtmaschinen GmbH  
Berliner Strasse 31  
93073 Neutraubling  
Germany  
Phone: +49 (0) 94 01 - 93 05-0  
Fax: +49 (0) 94 01 - 93 05-20  
E-mail: sales@ecomac.de

**ecomac**  
GEBRAUCHTMASCHINEN

Neutraubling, 2024-10-07



Subject to prior sale – without engagement

Berliner Strasse 31  
93073 Neutraubling  
Germany  
Phone: +49 (0) 94 01 - 93 05-0  
Fax: +49 (0) 94 01 - 93 05-20  
E-mail: sales@ecomac.de

Managing Director  
Ludwig Stierstorfer

Sparkasse Neutraubling  
Account 30912406  
BLZ 75050000  
BIC BYLADEM1RBG  
IBAN DE1375050000030912406

Commerzbank Regensburg  
Account 6005870  
BLZ 75040062  
BIC COBADEFF750  
IBAN DE36750400620600587000

Expressbahnhof  
93047 Regensburg  
Airfreight Nürnberg

Registered office Neutraubling  
Registration Court  
Regensburg HRB 5134

ecomac Gebrauchtmaschinen GmbH  
Berliner Strasse 31  
93073 Neutraubling  
Germany  
Phone: +49 (0) 94 01 - 93 05-0  
Fax: +49 (0) 94 01 - 93 05-20  
E-mail: sales@ecomac.de

**ecomac**  
GEBRAUCHTMASCHINEN

Neutraubling, 2024-10-07



Subject to prior sale – without engagement

Berliner Strasse 31  
93073 Neutraubling  
Germany  
Phone: +49 (0) 94 01 - 93 05-0  
Fax: +49 (0) 94 01 - 93 05-20  
E-mail: sales@ecomac.de

Managing Director  
Ludwig Stierstorfer

Sparkasse Neutraubling  
Account 30912406  
BLZ 75050000  
BIC BYLADEM1RBG  
IBAN DE1375050000030912406

Commerzbank Regensburg  
Account 6005870  
BLZ 75040062  
BIC COBADEFF750  
IBAN DE36750400620600587000

Expressbahnhof  
93047 Regensburg  
Airfreight Nürnberg

Registered office Neutraubling  
Registration Court  
Regensburg HRB 5134

ecomac Gebrauchtmachines GmbH  
Berliner Strasse 31  
93073 Neutraubling  
Germany  
Phone: +49 (0) 94 01 - 93 05-0  
Fax: +49 (0) 94 01 - 93 05-20  
E-mail: sales@ecomac.de

**ecomac**  
GEBRAUCHTMASCHINEN

Neutraubling, 2024-10-07



Subject to prior sale – without engagement

Berliner Strasse 31  
93073 Neutraubling  
Germany  
Phone: +49 (0) 94 01 - 93 05-0  
Fax: +49 (0) 94 01 - 93 05-20  
E-mail: sales@ecomac.de

Managing Director  
Ludwig Stierstorfer

Sparkasse Neutraubling  
Account 30912406  
BLZ 75050000  
BIC BYLADEM1RBG  
IBAN DE1375050000030912406

Commerzbank Regensburg  
Account 6005870  
BLZ 75040062  
BIC COBADEFF750  
IBAN DE36750400620600587000

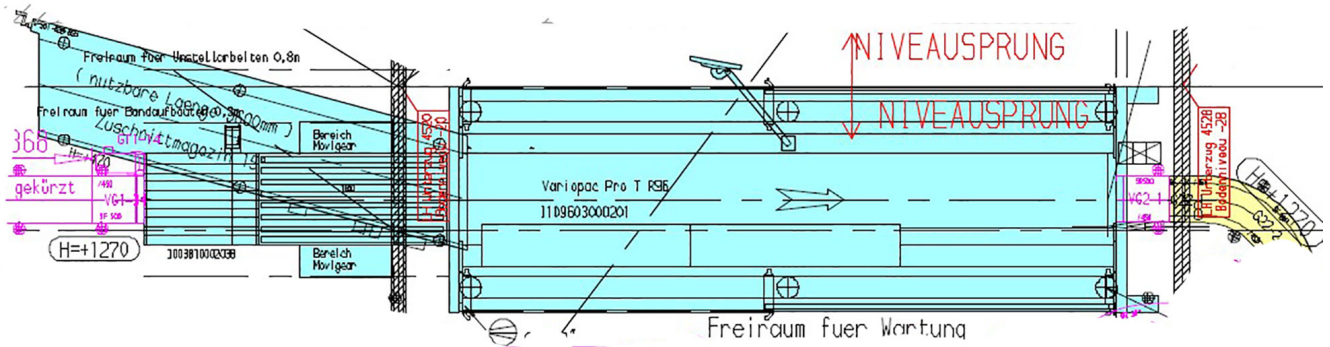
Expressbahnhof  
93047 Regensburg  
Airfreight Nürnberg

Registered office Neutraubling  
Registration Court  
Regensburg HRB 5134

ecomac Gebrauchtmachines GmbH  
Berliner Strasse 31  
93073 Neutraubling  
Germany  
Phone: +49 (0) 94 01 - 93 05-0  
Fax: +49 (0) 94 01 - 93 05-20  
E-mail: sales@ecomac.de

**ecomac**  
GEBRAUCHTMASCHINEN

Neutraubling, 2024-10-07



**ecomac**  
GEBRAUCHTMASCHINEN

Subject to prior sale – without engagement

Berliner Strasse 31  
93073 Neutraubling  
Germany  
Phone: +49 (0) 94 01 - 93 05-0  
Fax: +49 (0) 94 01 - 93 05-20  
E-mail: sales@ecomac.de

Managing Director  
Ludwig Stierstorfer

Sparkasse Neutraubling  
Account 30912406  
BLZ 75050000  
BIC BYLADEM1RBG  
IBAN DE1375050000030912406

Commerzbank Regensburg  
Account 6005870  
BLZ 75040062  
BIC COBADEFF750  
IBAN DE36750400620600587000

Expressbahnhof  
93047 Regensburg  
Airfreight Nürnberg

Registered office Neutraubling  
Registration Court  
Regensburg HRB 5134